

Assembly Instructions - # 777, 977, 1777, 707, 907, 1707

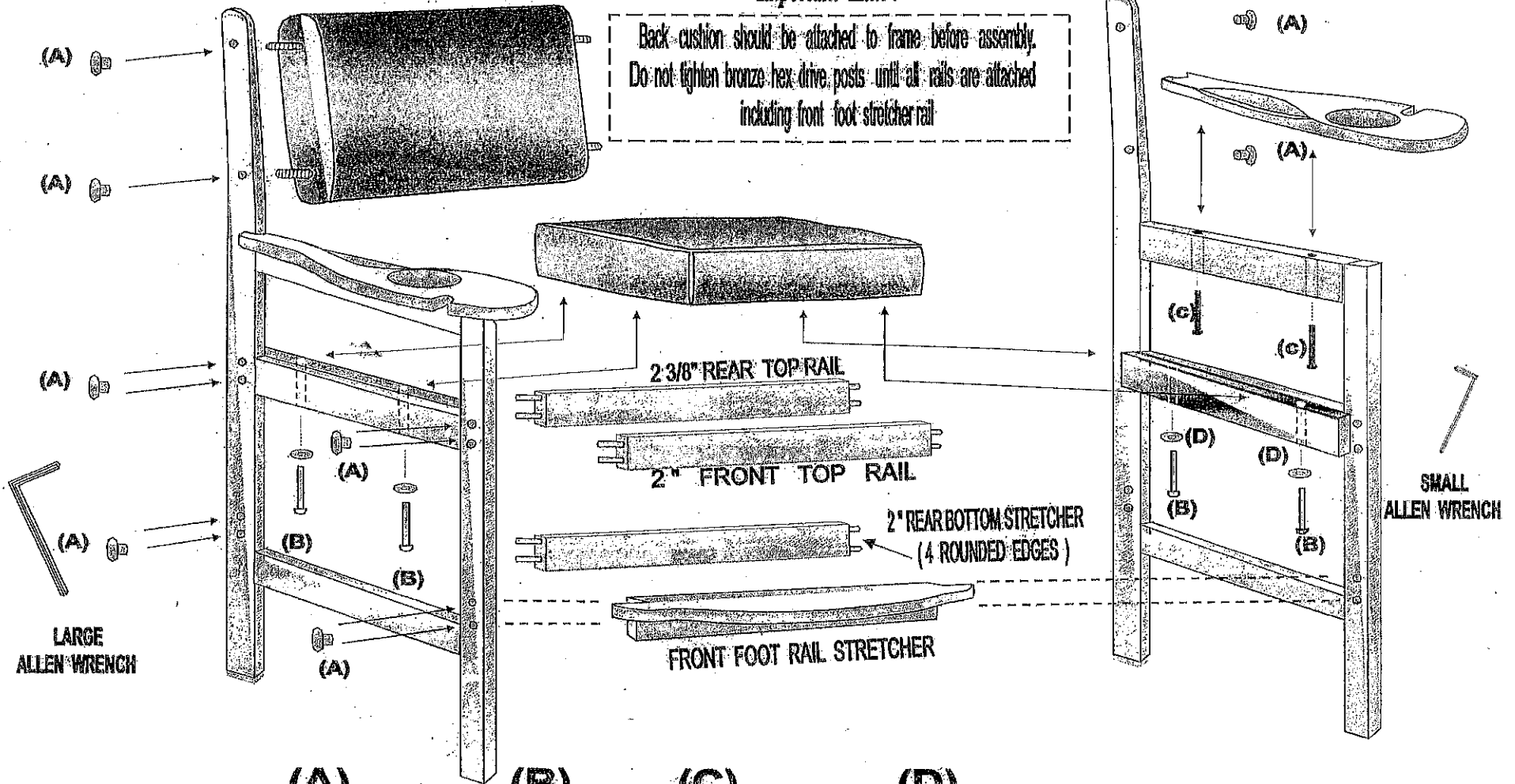
M I K H A I L
Doresee

Chino, California

PACKAGED BY _____	<input type="checkbox"/>	HARDWARE	<input type="checkbox"/>	FOOTPLATES
	<input type="checkbox"/>	LEATHER COASTERS	<input type="checkbox"/>	HANGER BOLTS

Important Hint!

Back cushion should be attached to frame before assembly.
Do not tighten bronze hex drive posts until all rails are attached including front foot stretcher rail



(A)	(B)	(C)	(D)
(20) Qty. BRONZE HEX DRIVE POST	(4) Qty. PAN HEAD MACHINE BOLTS	(4) Qty. 2 1/2\"/>	